

studioart

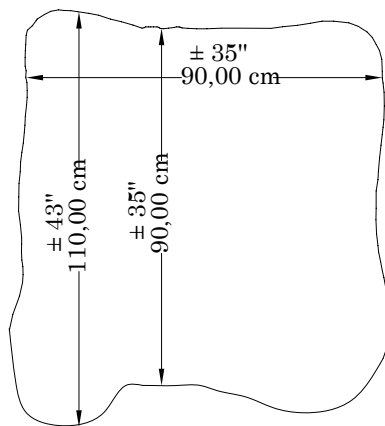
LEATHER INTERIORS

Watersuede uses only the selected central part of the leather hide, which is pure aniline-dyed. The leather is then finished with special products to further enhance the velour effect typical of suede leather and treated with water-and-oil resistant products. Watersuede's great elegance and its distinctive natural nap are enhanced by the shading effect of the surface. Although it is more protected than other suede leathers in the market, Watersuede is not recommended for high traffic areas or seating applications. It is suitable for light upholstery and vertical surfaces.

Hide Size: $\pm 1,3 \text{ m}^2$ - $\pm 14 \text{ sq.ft.}$

Thickness: 1,0 - 1,1 mm

Made in Italy



Maintenance:

Leather is a natural material. Slight colour variations and scratches are natural characteristics of the product. Direct exposure to sunlight and installation near heat sources should be avoided. Wipe periodically with a dry cloth to prevent dust from building up. Do not use harsh cleaners or solvents.

Testing: FR, aviation and marine certifications available upon request. Contact our Sales department at +39 0444 453745.

Applications: residential, hospitality, aviation, marine. Not recommended for upholstery.

Embossing options

Ninfea

Taipan

Vertigo

Colours available: 40

